

Spider  Farmer

# USER MANUAL

## Ultrasonic Humidifier

Creating the perfect environment for your plants



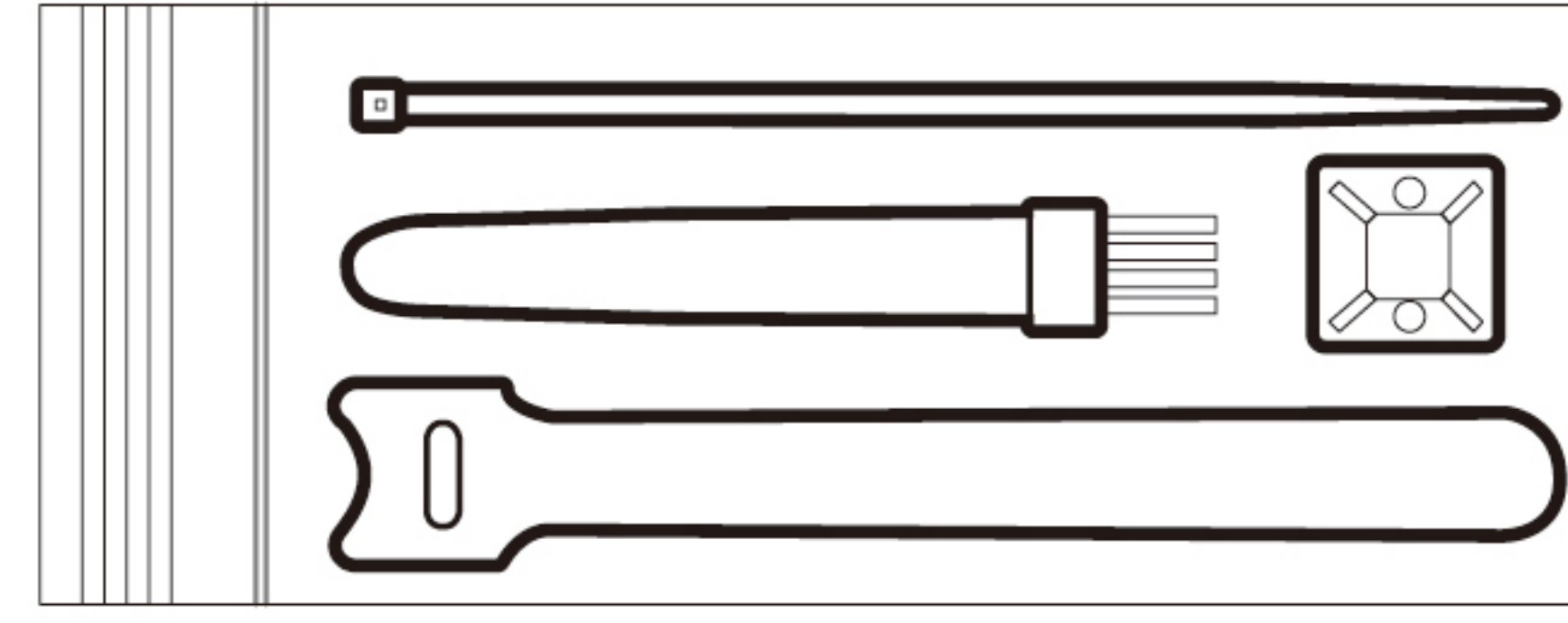
SF-Humidifier-06

# HOW TO USE

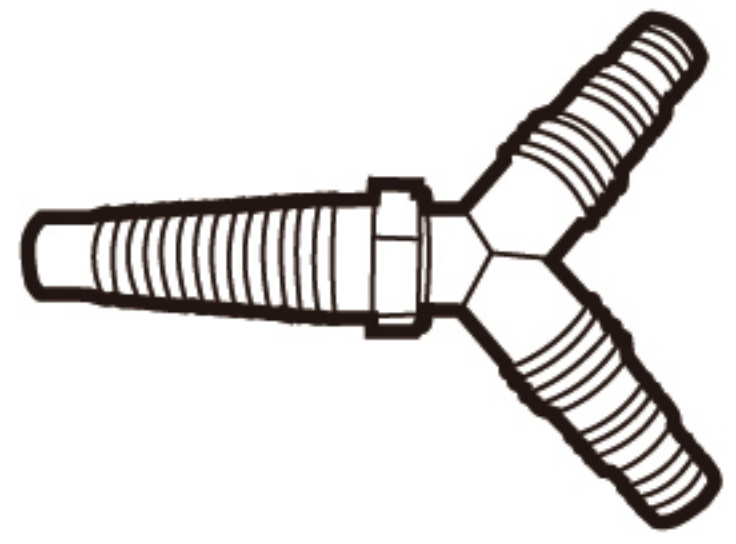
## INSTALLATION & PACKAGE LIST (SF-HUMIDIFIER6)



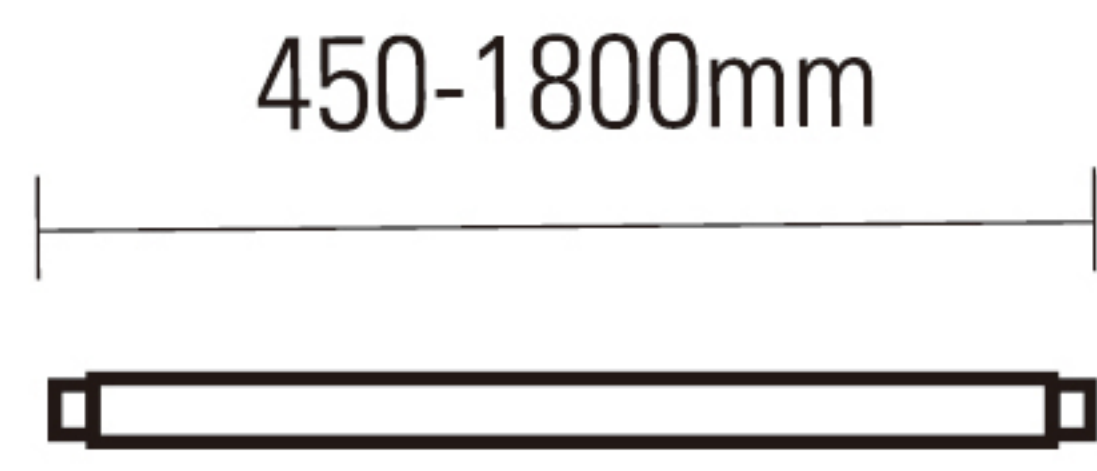
Strap X3 for SF-Humidifier6  
Strap X3 for SF-Humidifier16



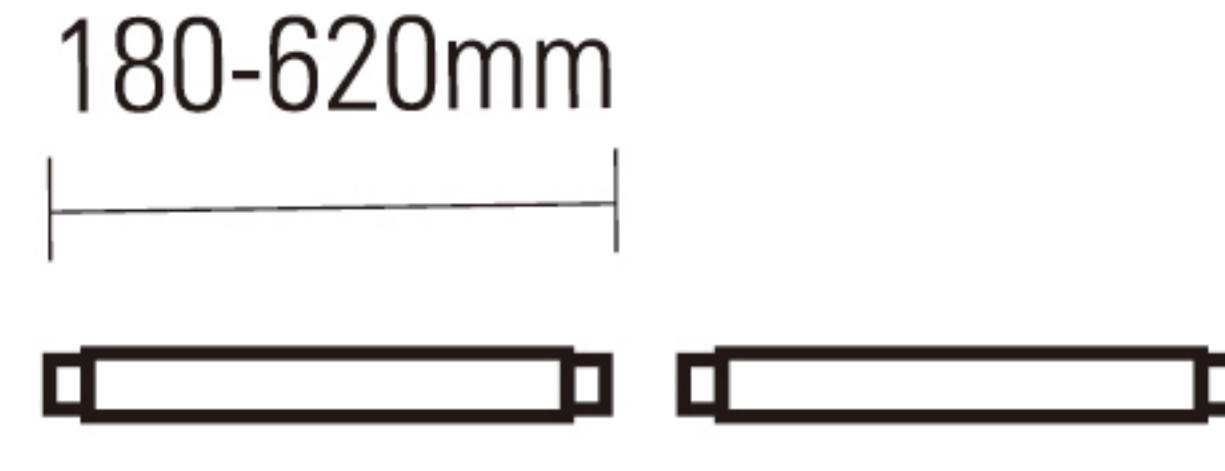
Tool Bag X1 for  
Humidifier6 & Humidifier16



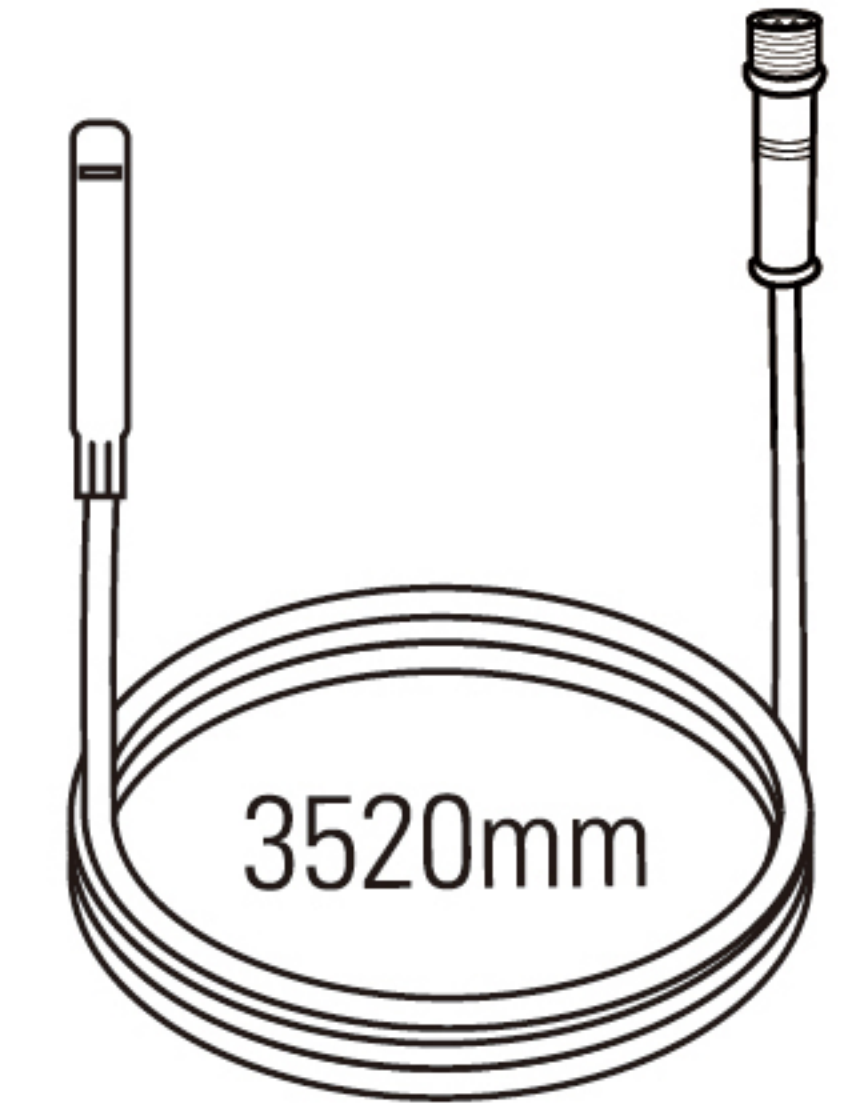
2-WAY NOZZLE (x1)



FLEXIBLE LONG HOSE (x1)

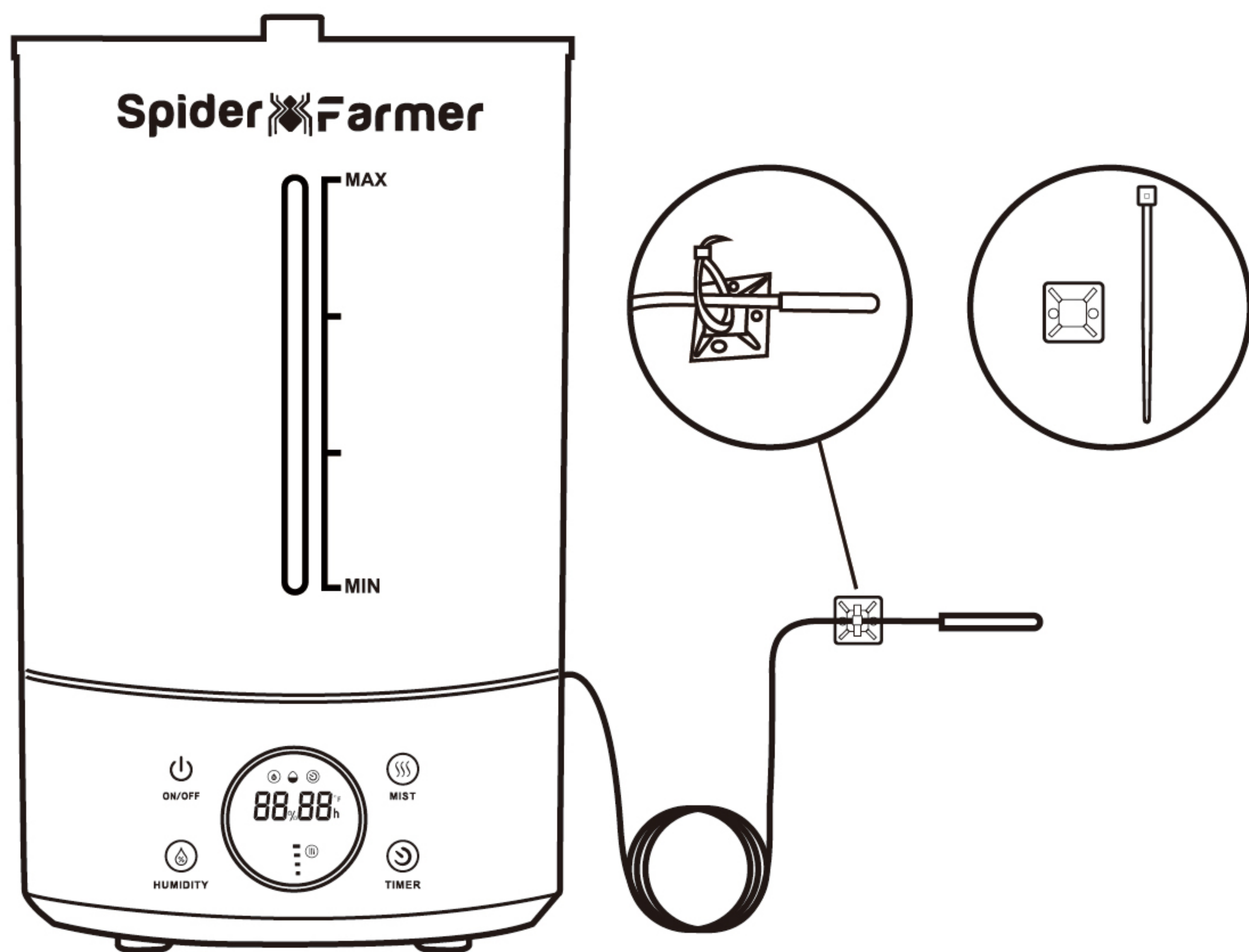


FLEXIBLE SHORT HOSE (x2)

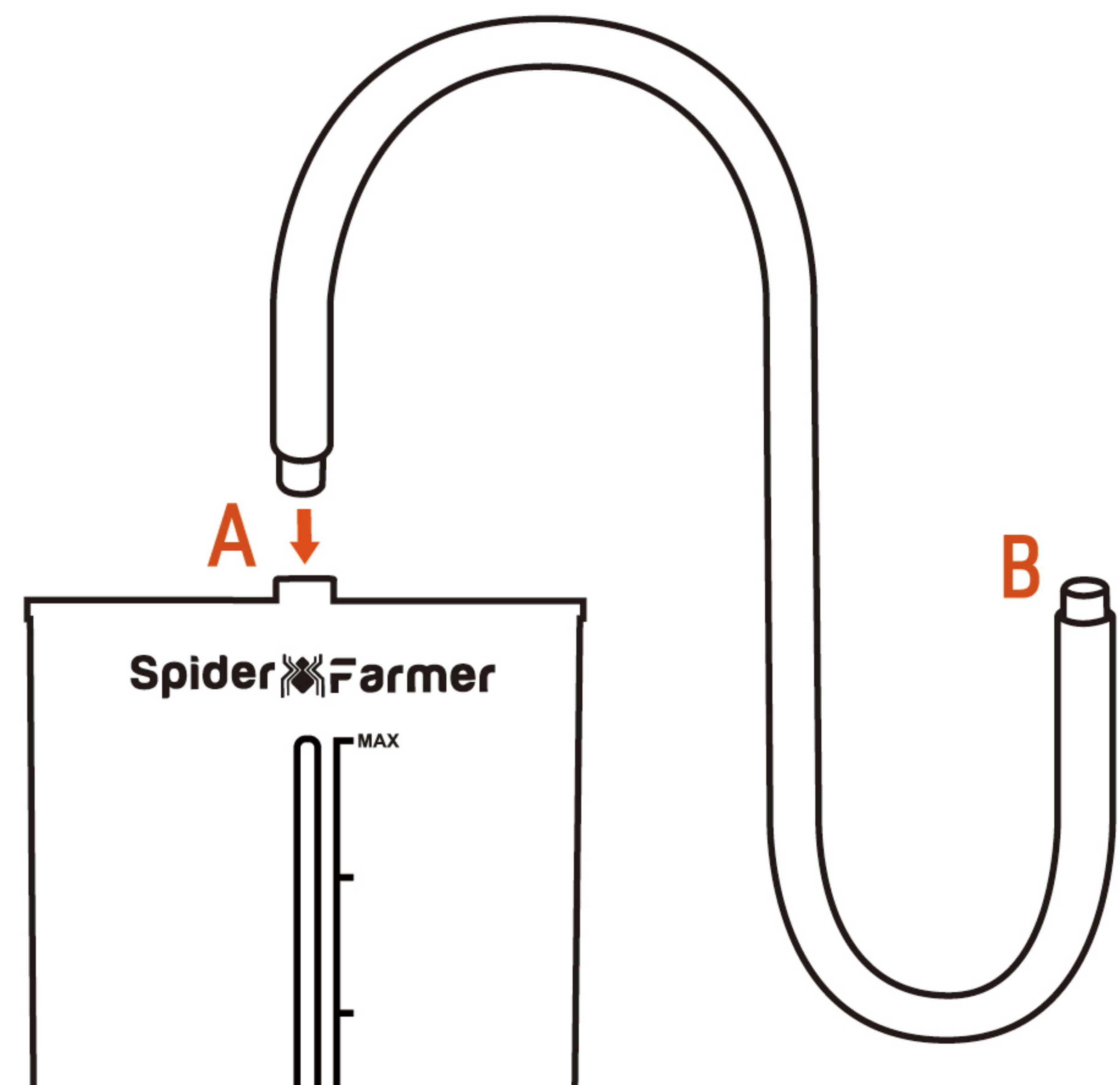


CORDED SENSOR PROBE(x1)

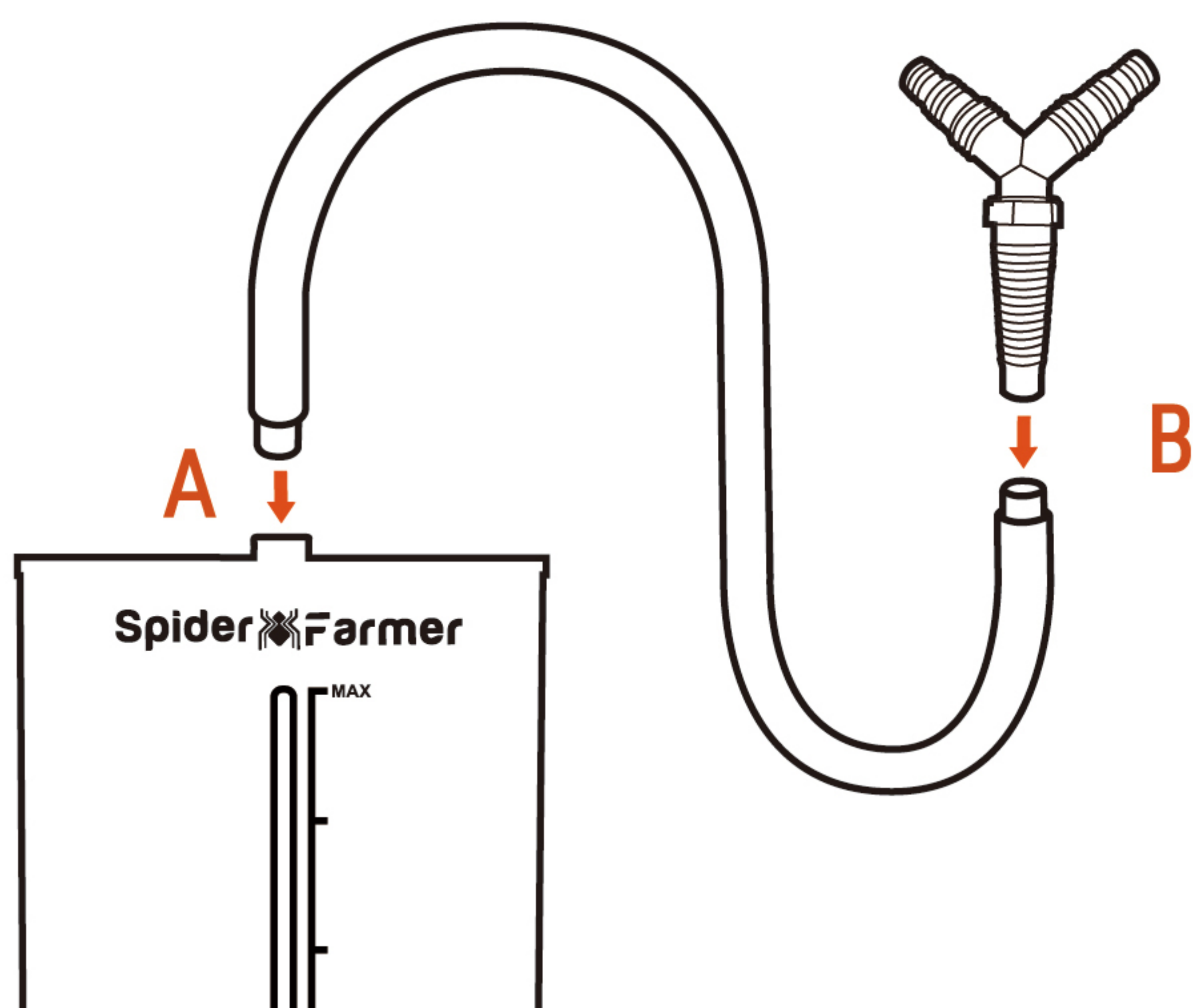
1



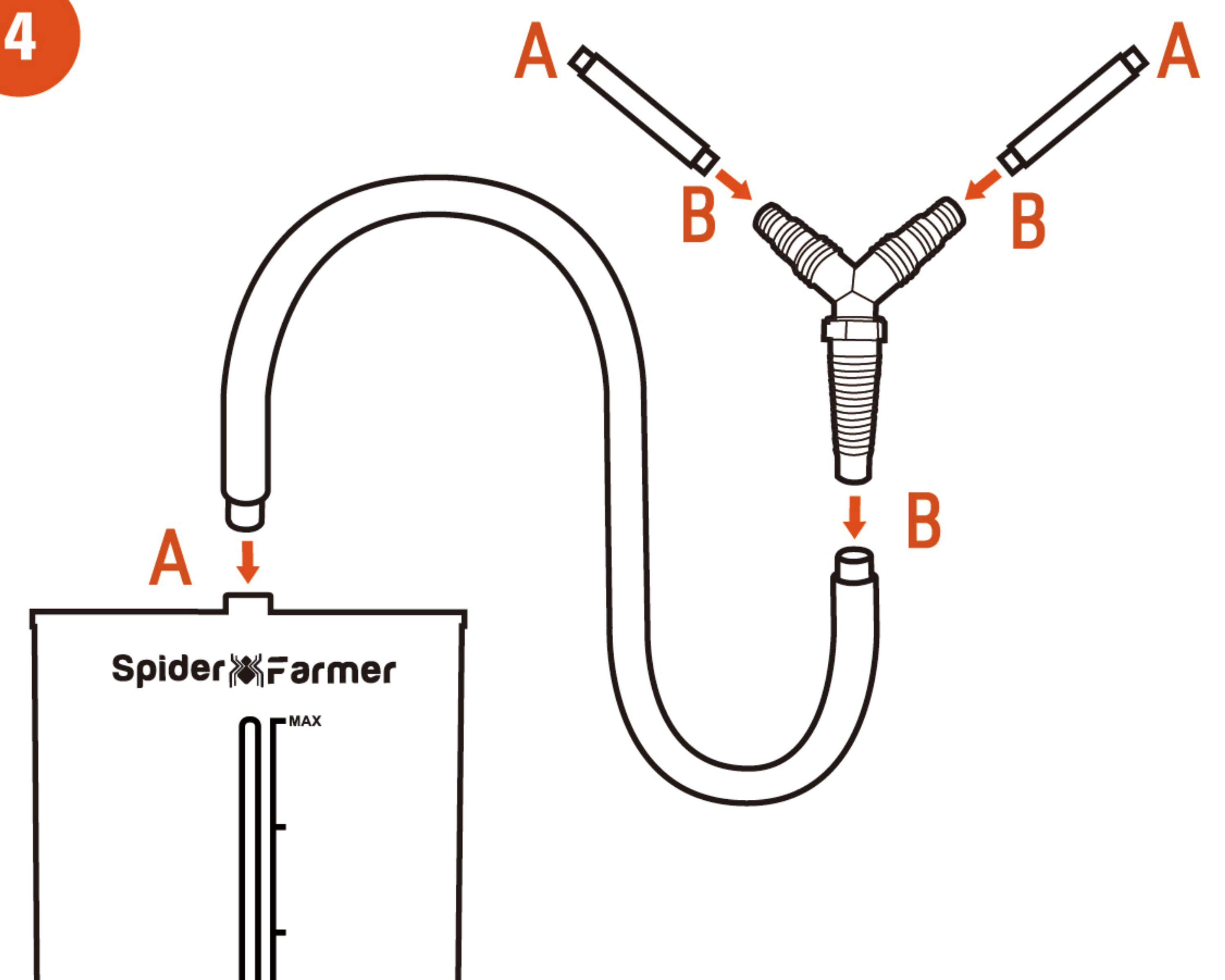
2



3

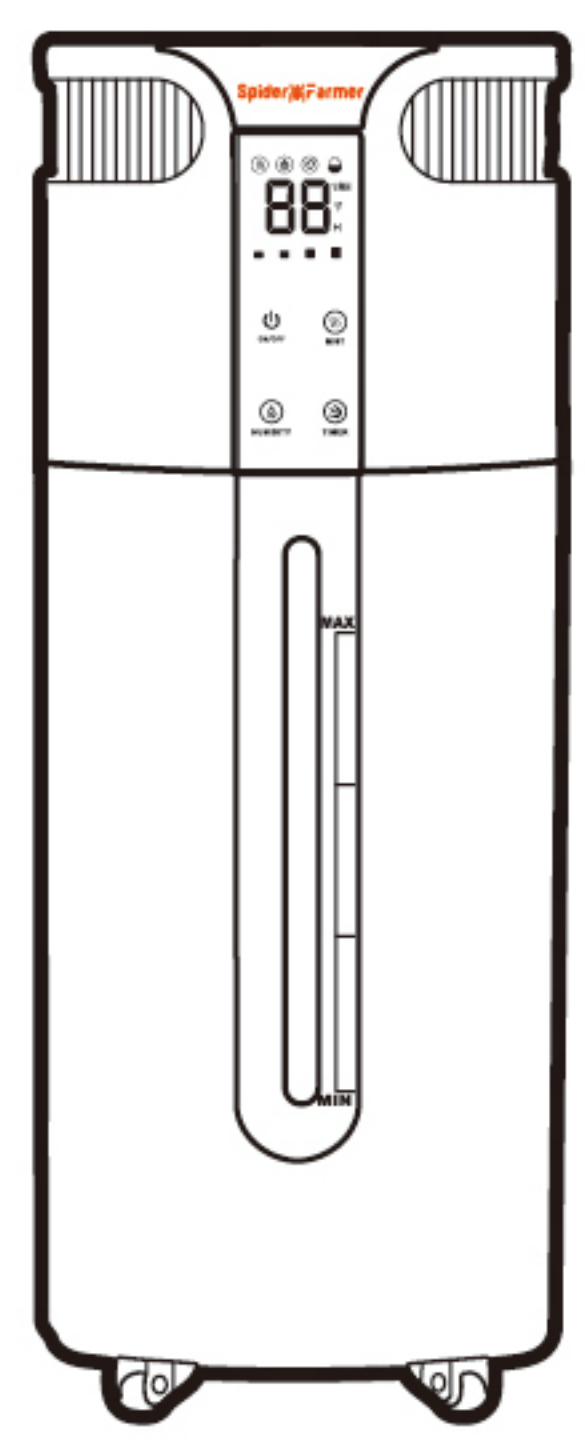


4

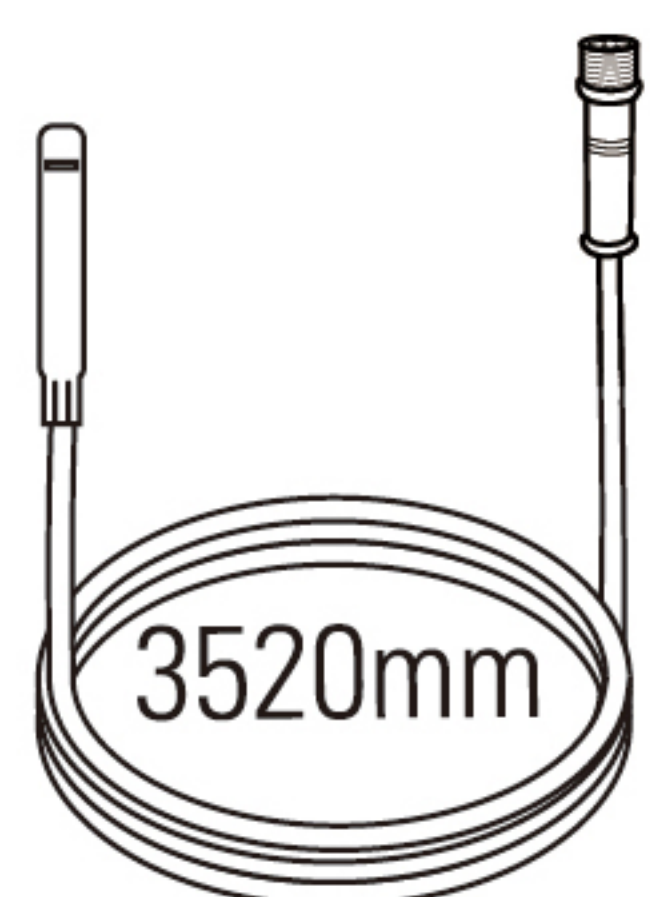


This step is for demonstration purposes only. Do not bend the spray pipes during use

# INSTALLATION & PACKAGE LIST (SF-HUMIDIFIER16)



Humidifier X1



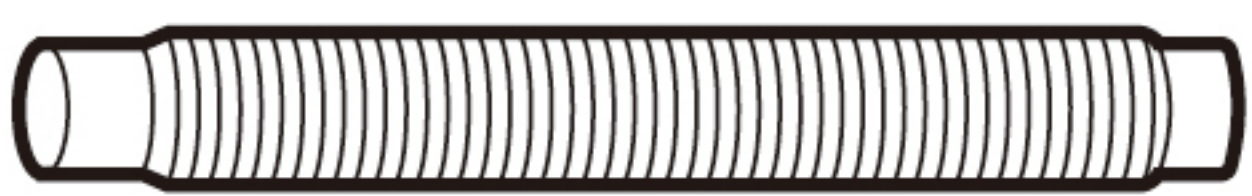
Corded Sensor Probe X1



Long Straight Pipe X1



Short Straight Pipe X4



Long Telescopic Tube X2



Short Telescopic Tube X4



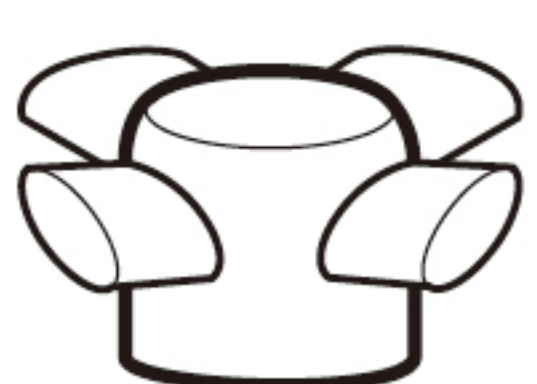
Two-way Conversion Adapter X1



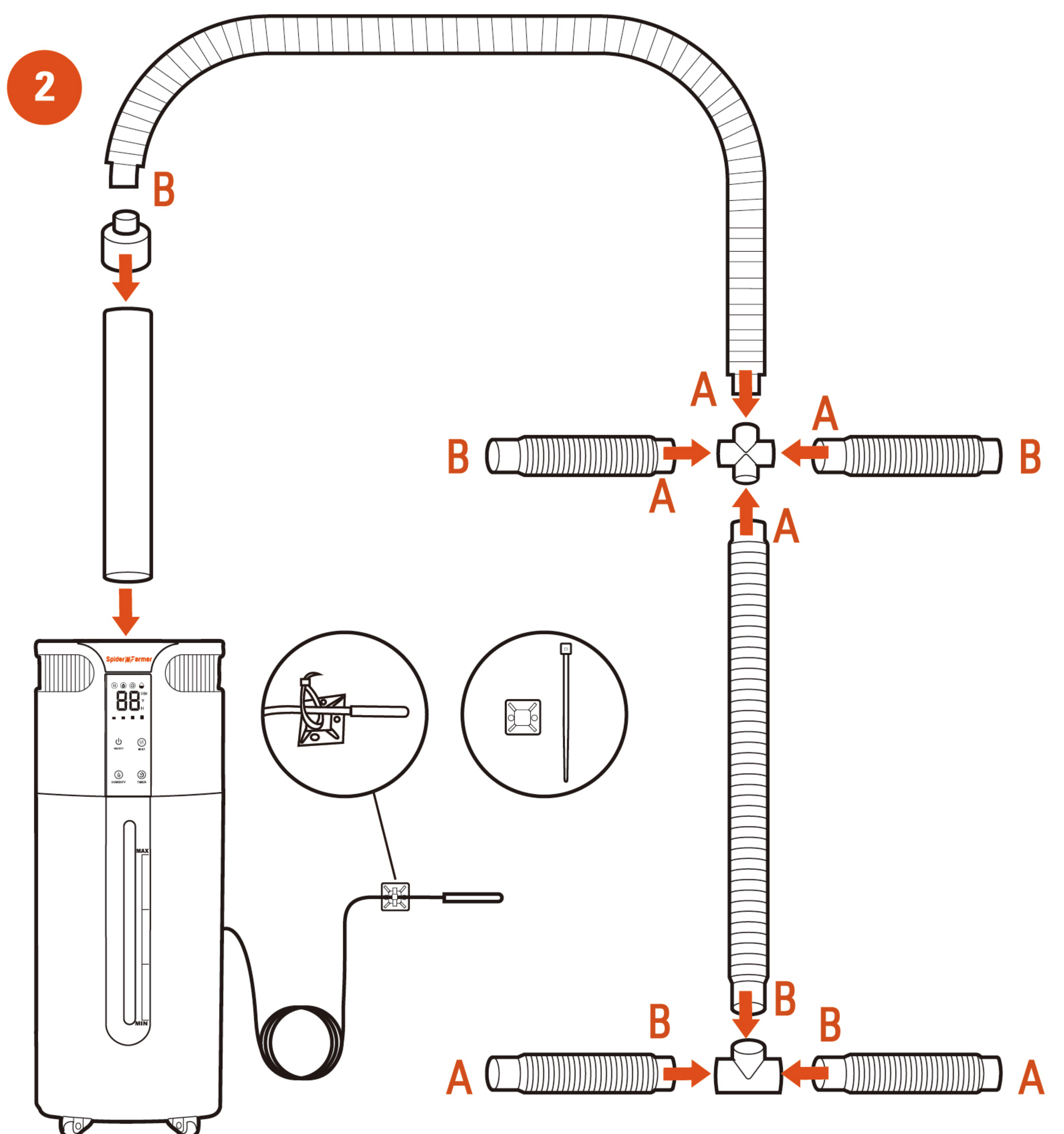
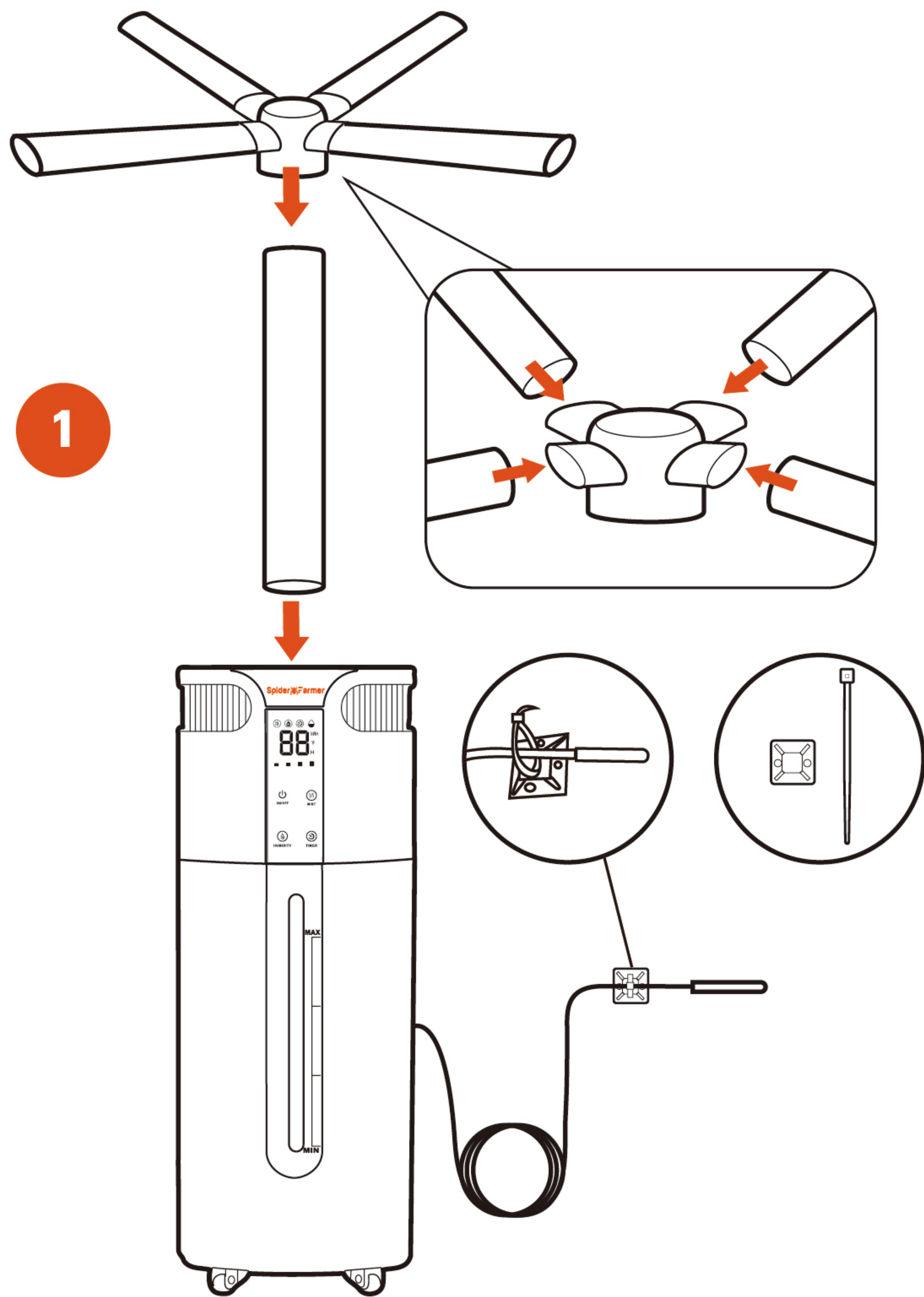
Three-way Conversion Adapter X1



Four-way Conversion Adapter X1



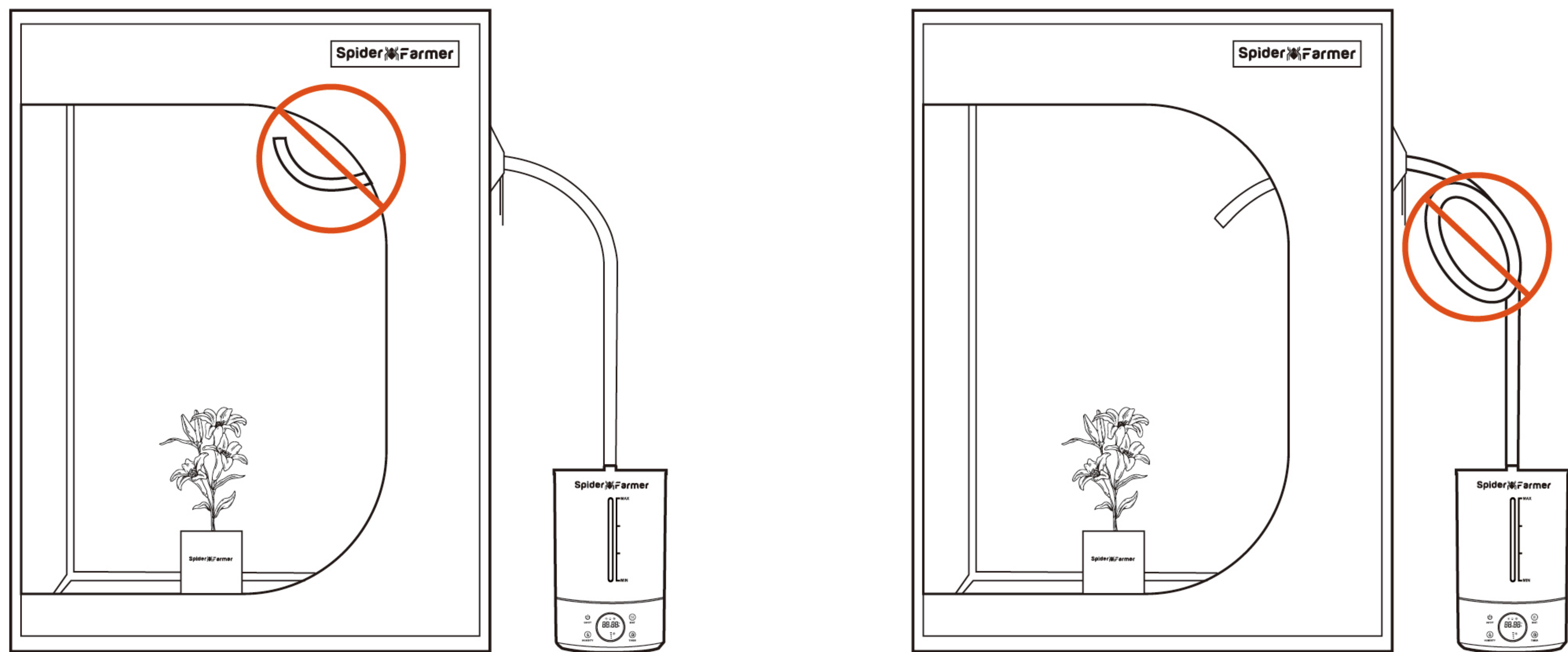
Quad Directional Nozzle X1



# APPLICATION IN TENTS

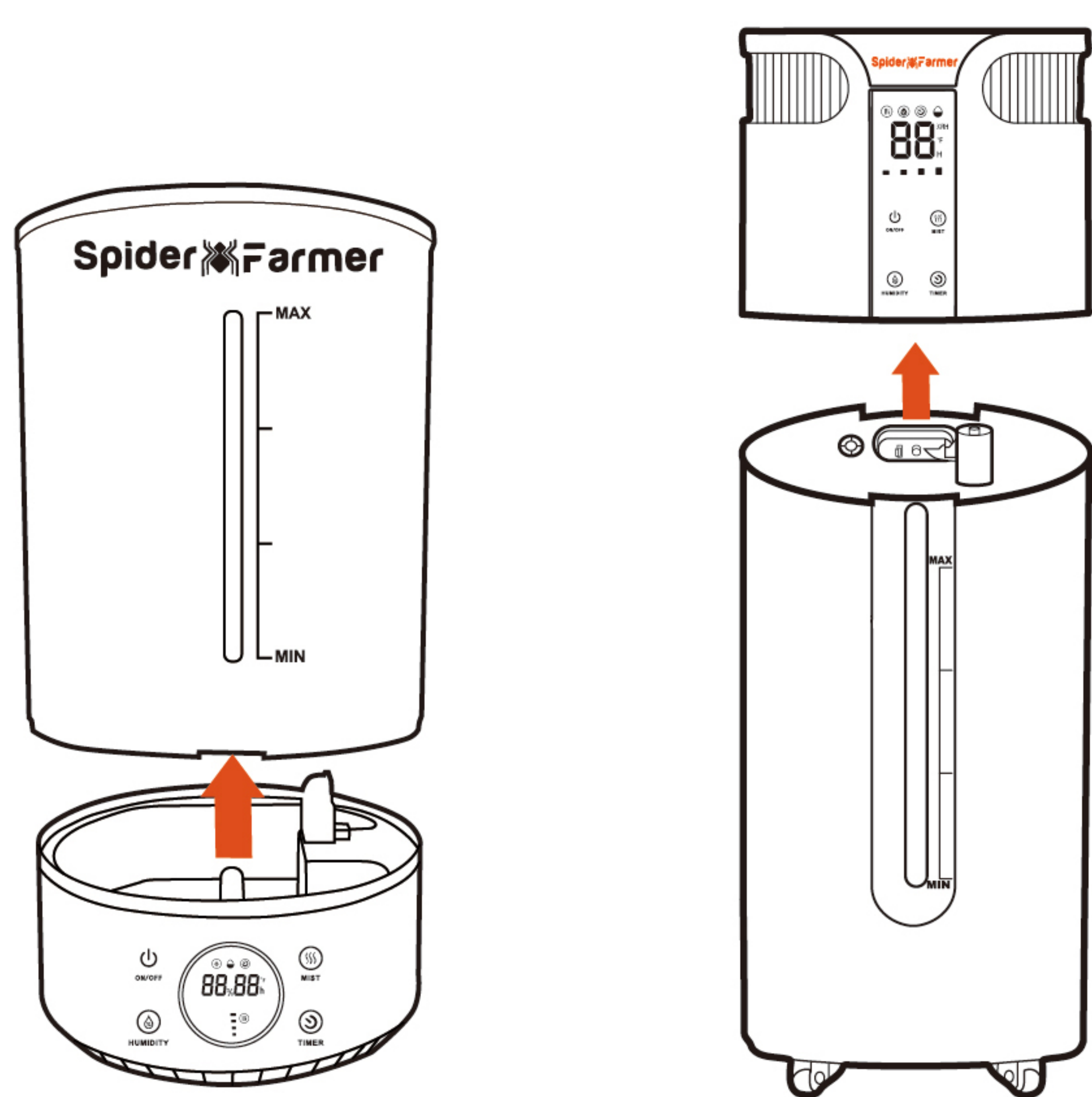
## NOTE:

When using spray pipes, please use straps to hang the pipeline horizontally above the plants. And Please do NOT excessively bend the pipeline to avoid water accumulation in the pipeline.



# ADD WATER TO THE TANK

1

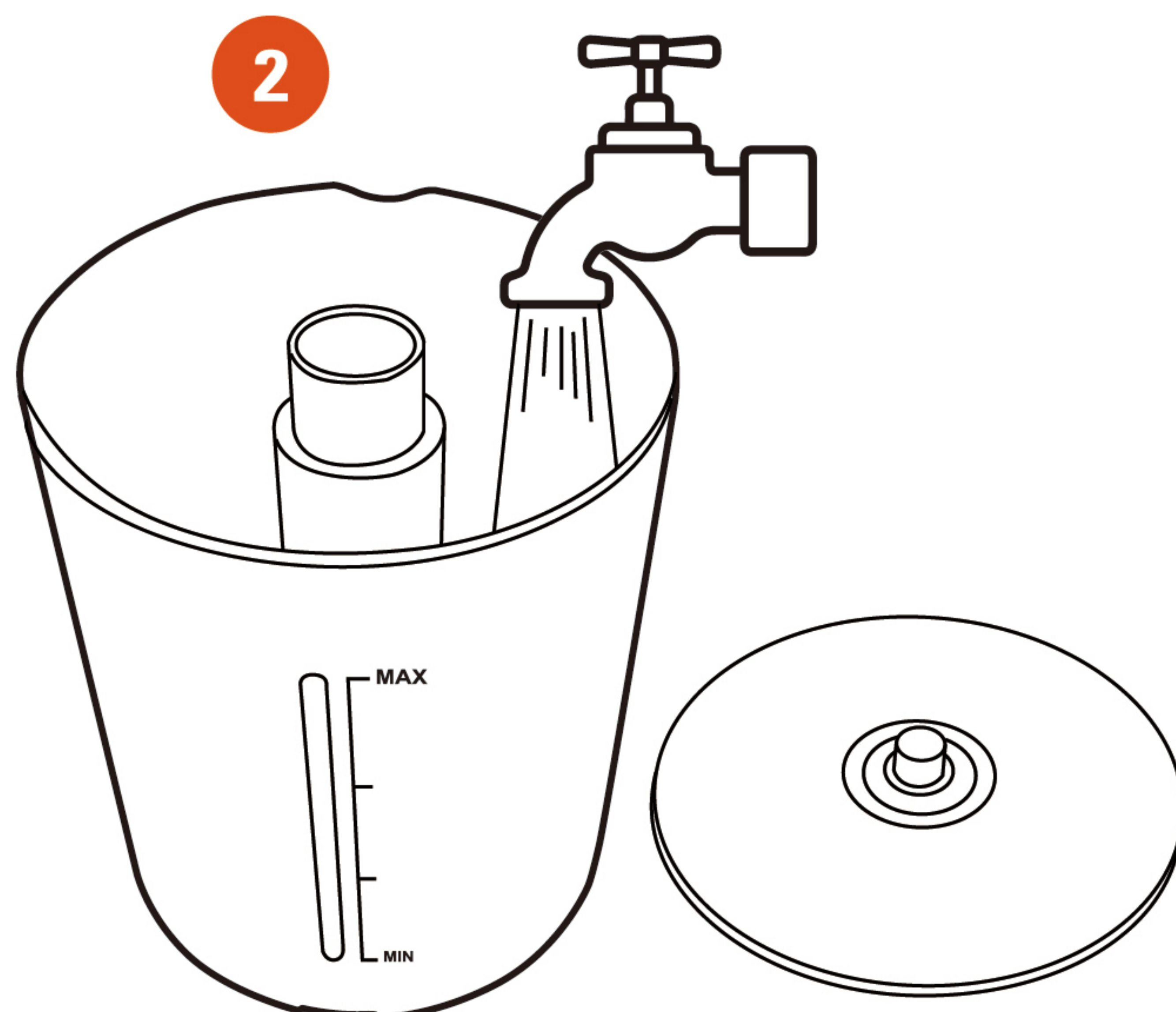


**1:** Open the lid above the humidifier and inject water at the top, or detach the tank to fill it with water.

**2:** We recommend using distilled water to minimize mineral build-up.

## NOTE:

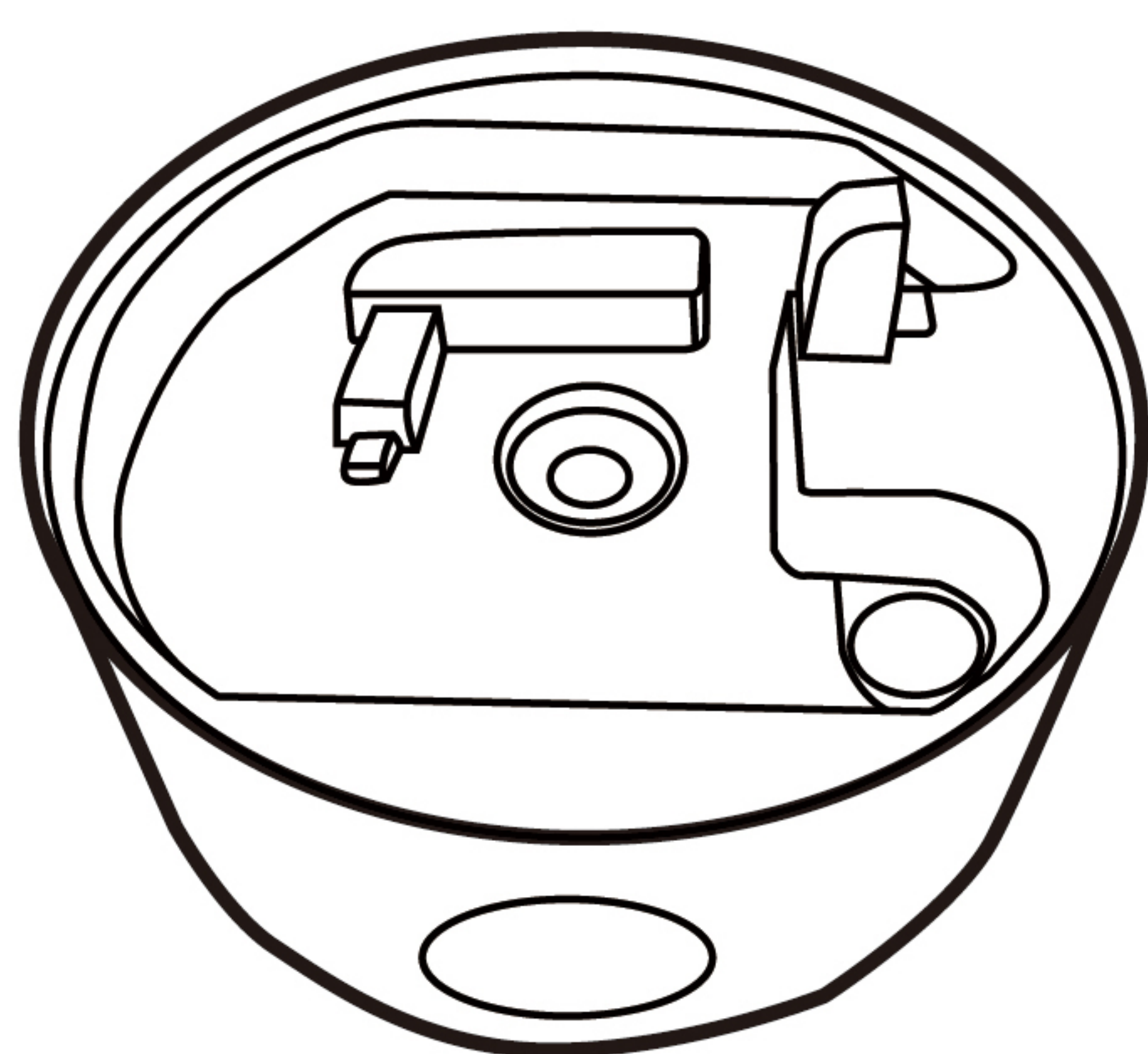
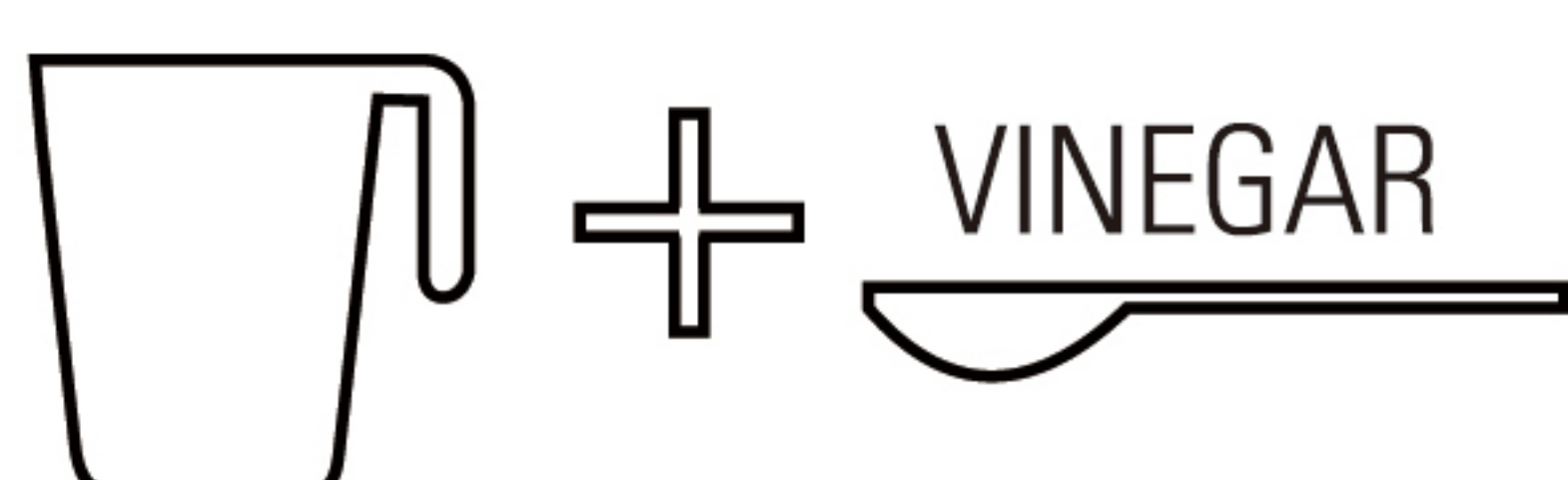
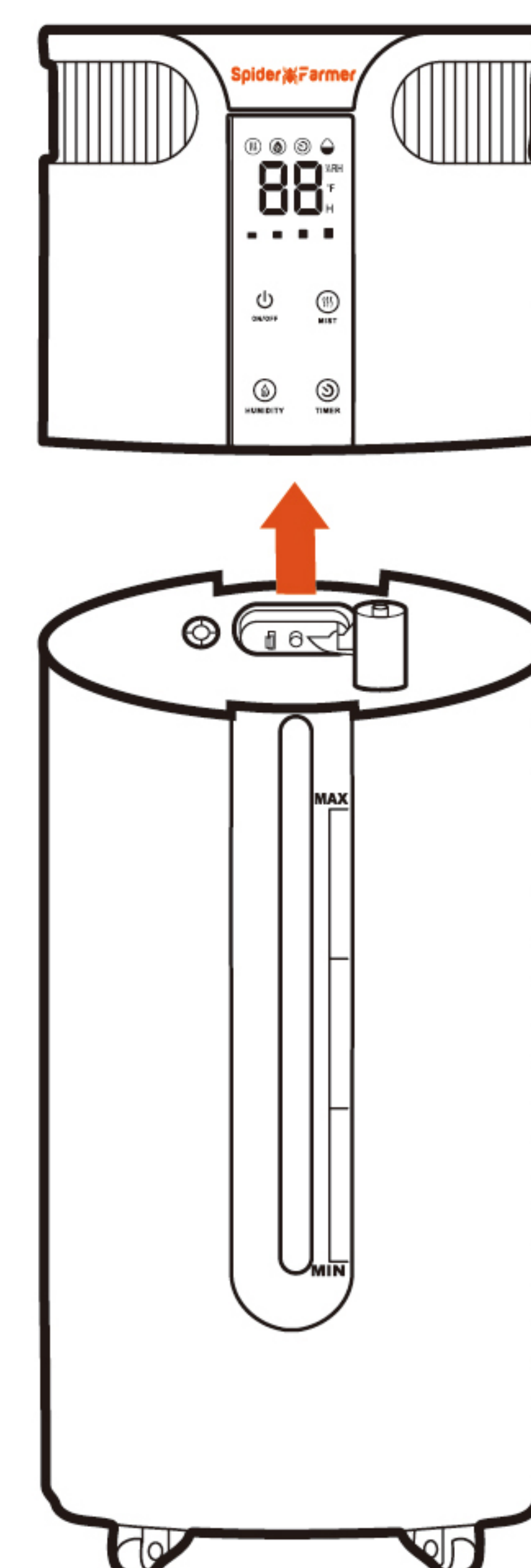
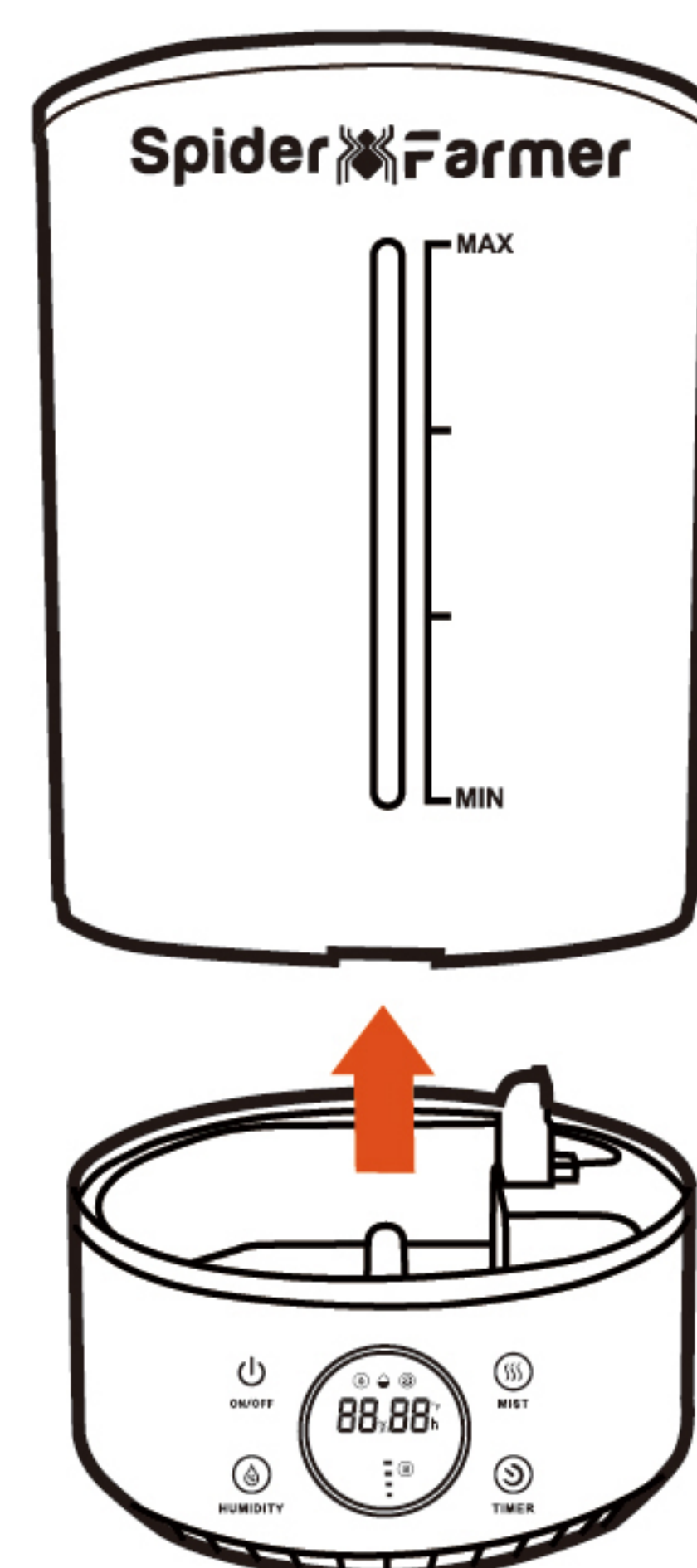
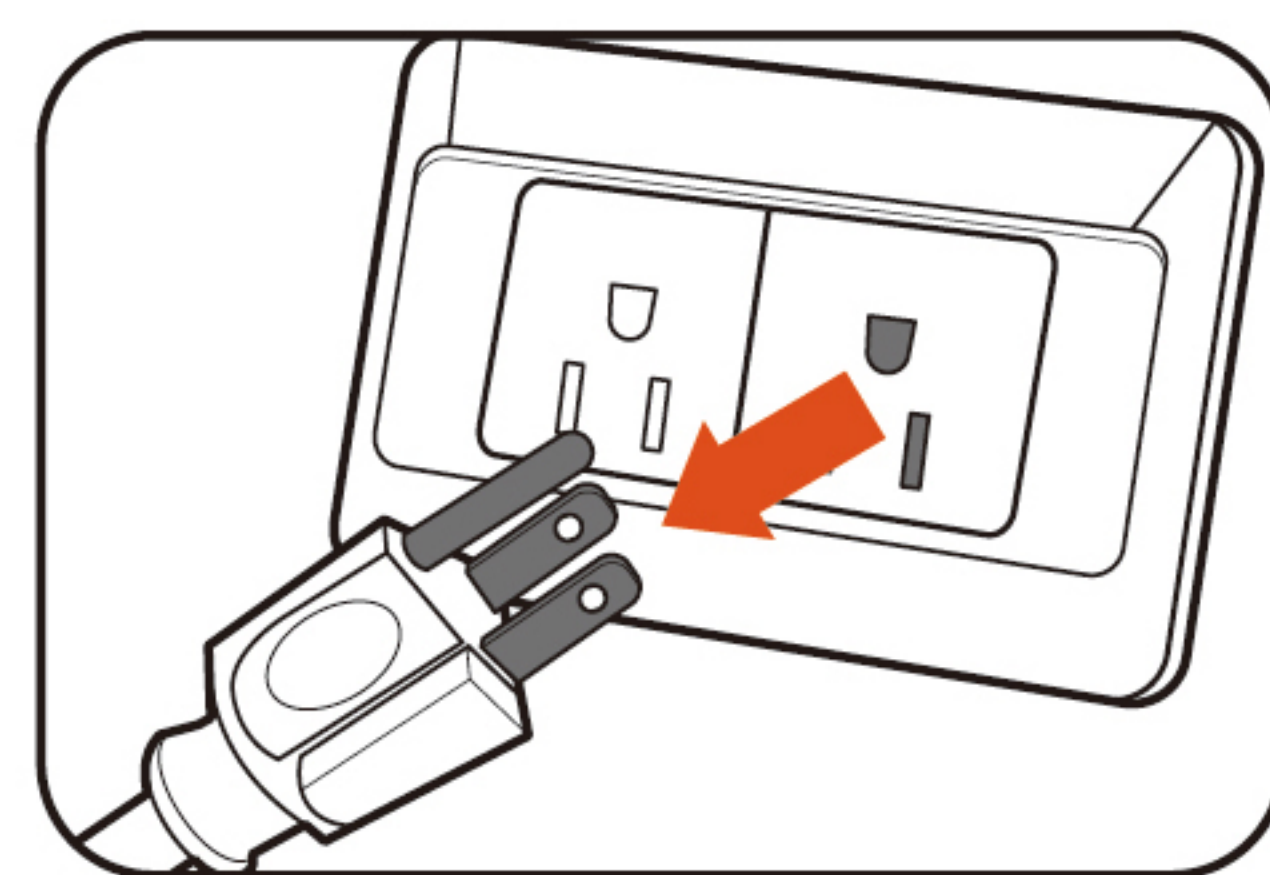
Do not pour water into the spray outlet, as it can prevent the humidifier from functioning properly.



# CLEANING

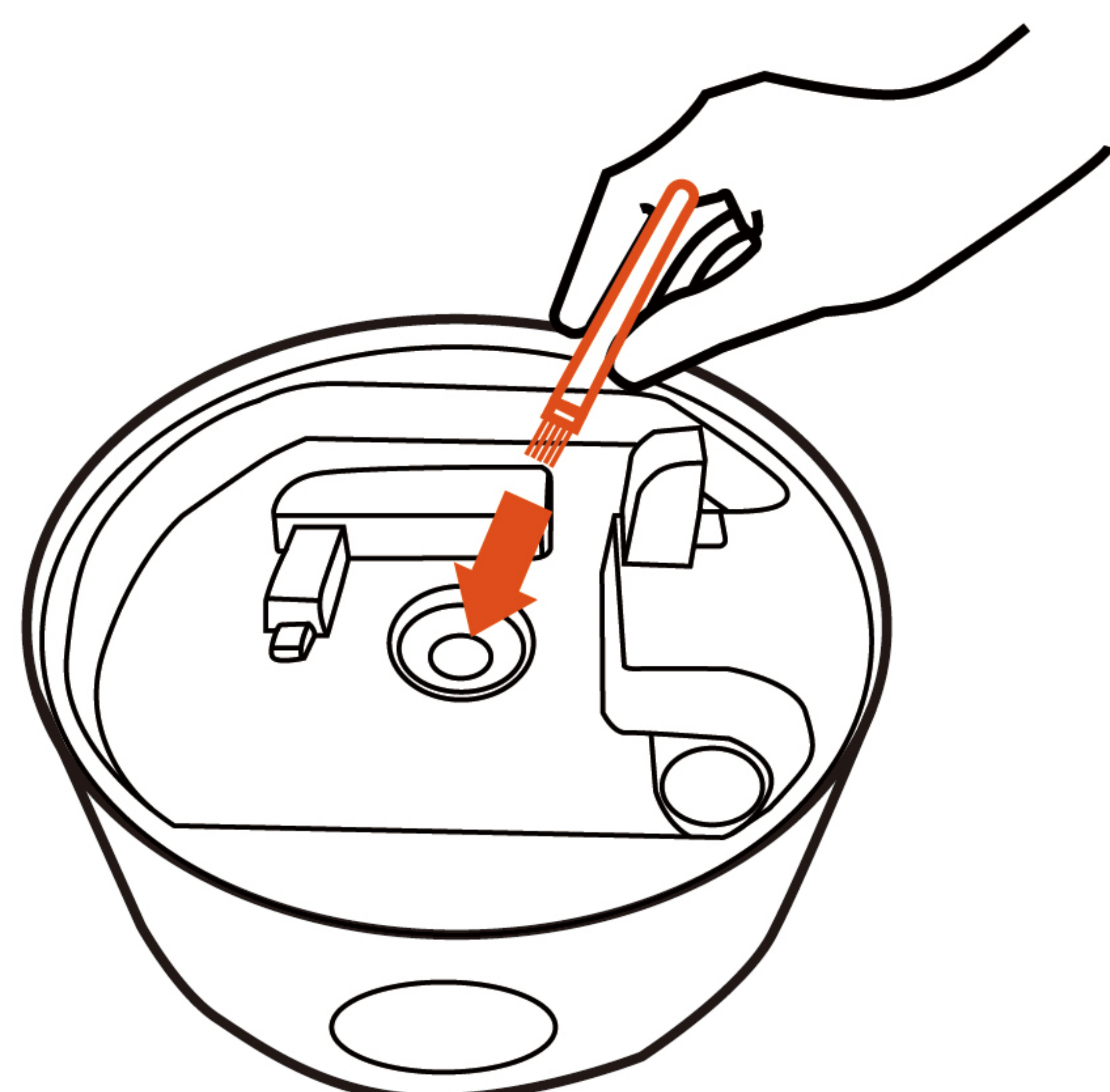
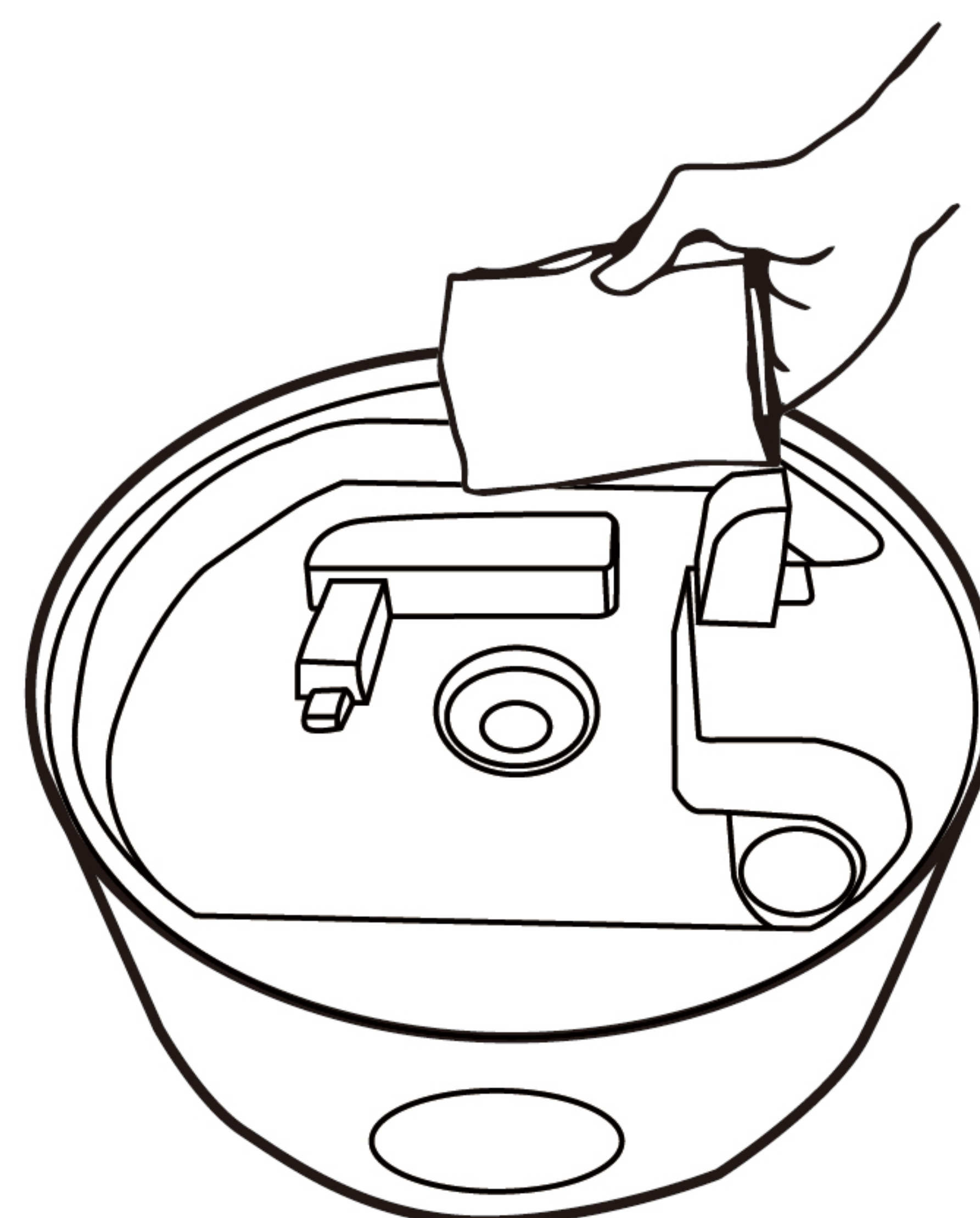
Change water reservoir at least once every 4 days. Clean and maintain the unit at least once per week.

- ① Unplug the humidifier and remove the tank from the base.



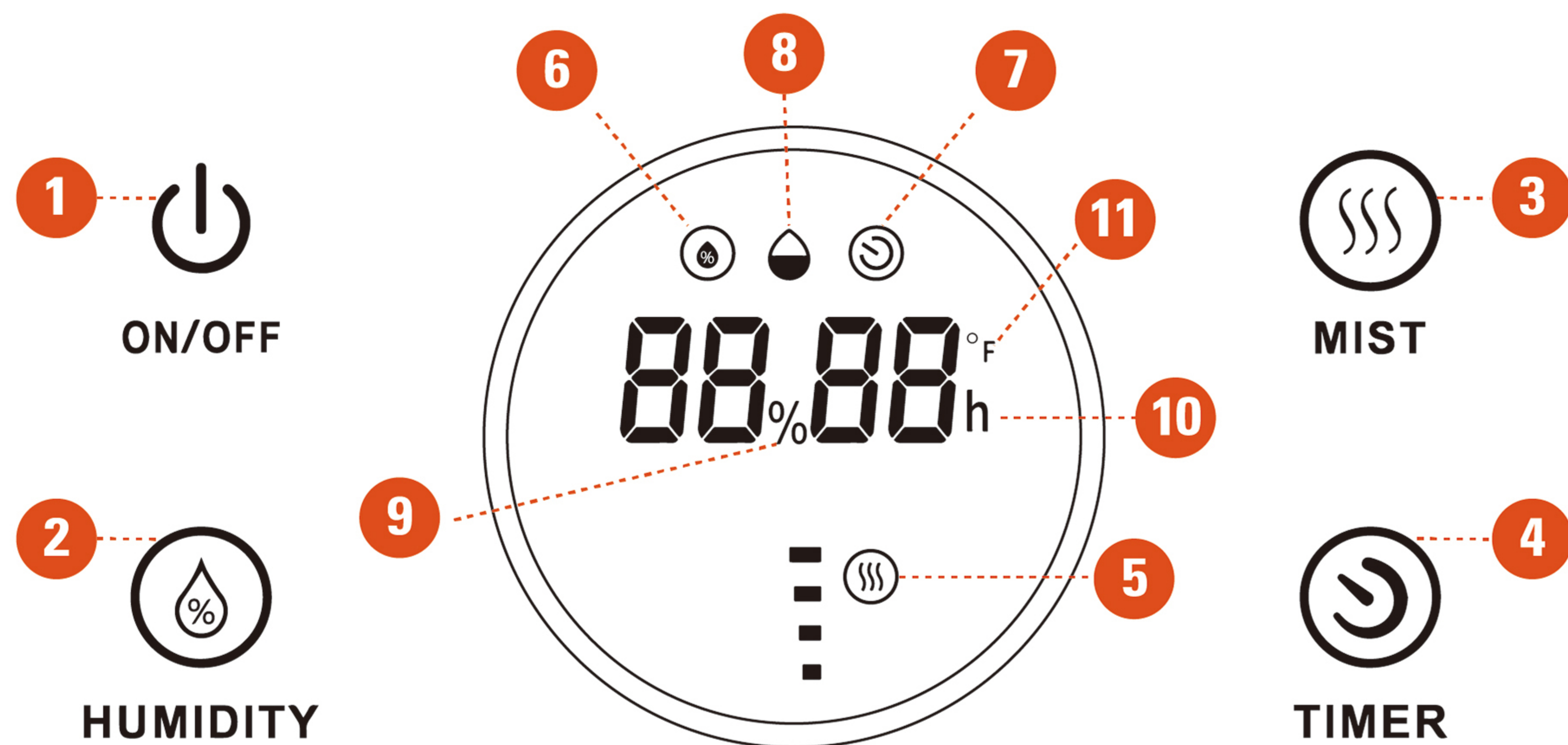
- ② Pour out any water sitting in the base. Pour two cups of distilled water and one tablespoon of vinegar into the base. Let it sit for five minutes.

- ③ Use the included brush to remove any build-up from the nebulizer(s).



- ④ Pour out the vinegar water mixture and wipe the base dry. Replace the tank to finish.

# BUTTONS AND DISPLAY ICONS (SF-HUMIDIFIER6)



## 1. POWER BUTTON

Turns the humidifier ON or OFF.

## 2. HUMIDITY BUTTON

Sets the constant humidity value, ranging between 35% and 95% in 5% increments.

## 3. MIST BUTTON

Sets the fog volume, divided into 1-4 gears, from low to high, the mist volume is between 270-450 ML/H.

## 4. TIMER BUTTON

Sets a countdown timer to turn your humidifier off, ranging between 1 and 12 hours in 1-hour increments.

## 5. CURRENT MIST LEVEL

Displays the humidifier's current moisture level, the mist icon above the value will light up.

## 6. HUMIDITY WORKING ICON

During the operation of the constant humidity function, the value below the illuminated icon is the set value.

## 7. TIMER RUN ICON

When the timer function is running, the remaining run time value will be displayed below the illuminated timer icon.

## 8. ALERT ICON

When the water in the water tank is below the minimum water level, the red water shortage alarm icon will flash for 15 seconds and the buzzer will sound three times before entering the shut down state.

## 9. PROBE HUMIDITY DISPLAY

Displays the current humidity, automatically measured by the probe, in%.

## 10. TIMER VALUE DISPLAY

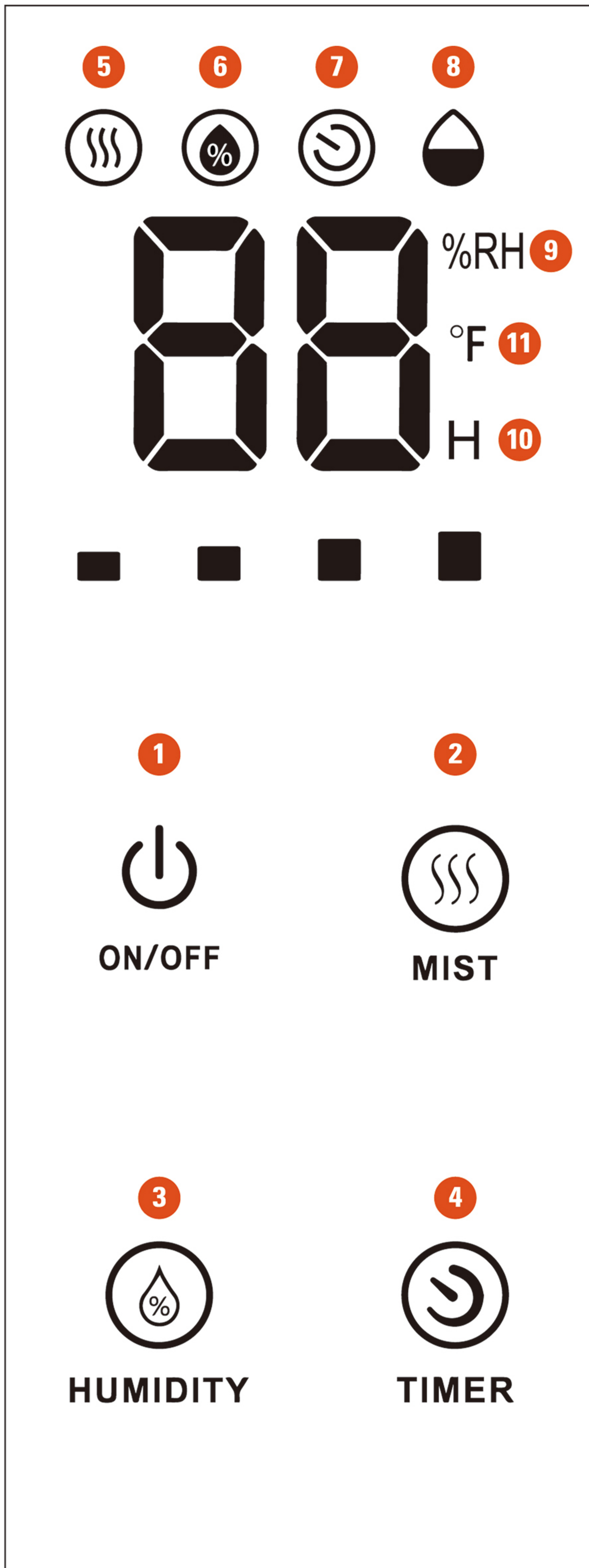
Shows the TIMER mode countdown in hourly intervals, indicating when your humidifier will turn off. The unit of measurement is H.

## 11. CURRENT TEMPERATURE DISPLAY

The probe detects the surrounding temperature and displays it in°F.

(The temperature display unit for humidifiers in the US is °F, while the temperature display unit for humidifiers in other specifications is °C)

# BUTTONS AND DISPLAY ICONS (SF-HUMIDIFIER16)



## 1. POWER BUTTON

Turns the humidifier ON or OFF.

## 2. HUMIDITY BUTTON

Sets the constant humidity value, ranging between 35% and 95% in 5% increments.

## 3. MIST BUTTON

Sets the fog volume, divided into 1-4 gears, from low to high, the mist volume is between 742-1400 ML/H.

## 4. TIMER BUTTON

Sets a countdown timer to turn your humidifier off, ranging between 1 and 12 hours in 1-hour increments.

## 5. CURRENT MIST LEVEL

Displays the humidifier's current moisture level, the mist icon above the value will light up.

## 6. HUMIDITY WORKING ICON

During the operation of the constant humidity function, the value below the illuminated icon is the set value.

## 7. TIMER RUN ICON

When the timer function is running, the remaining run time value will be displayed below the illuminated timer icon.

## 8. ALERT ICON

When the water in the water tank is below the minimum water level, the red water shortage alarm icon will flash for 15 seconds and the buzzer will sound three times before entering the shut down state.

## 9. PROBE HUMIDITY DISPLAY

Displays the current humidity, automatically measured by the probe, in%.

## 10. TIMER VALUE DISPLAY

Shows the TIMER mode countdown in hourly intervals, indicating when your humidifier will turn off. The unit of measurement is H.

## 11. CURRENT TEMPERATURE DISPLAY

(The temperature display unit for humidifiers in the US is °F, while the temperature display unit for humidifiers in other specifications is °C)

# SCREEN DISPLAY SETTINGS

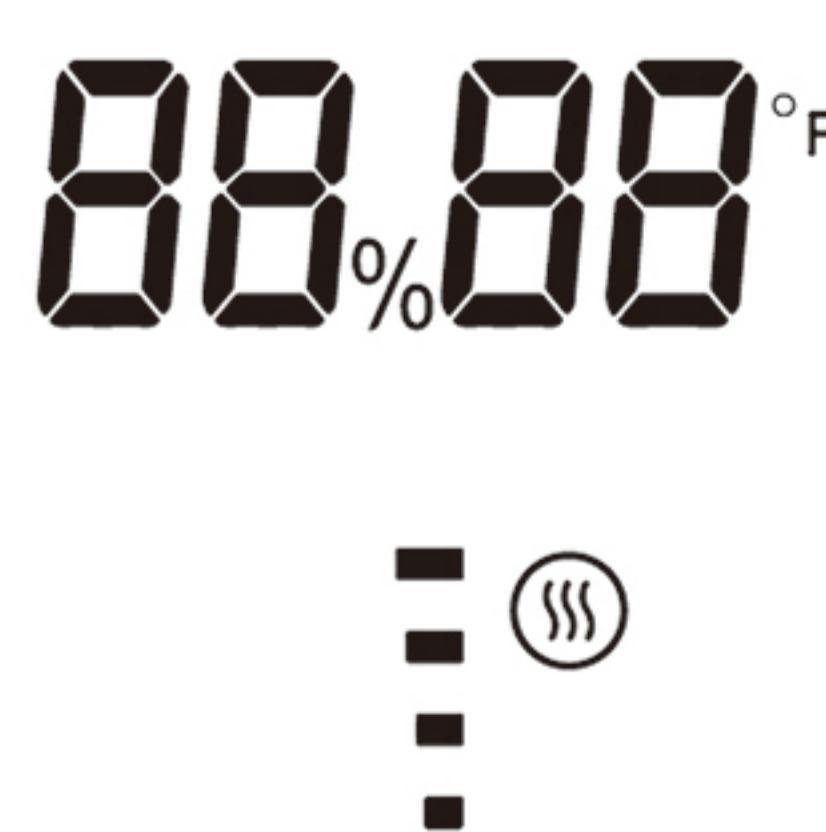
After stopping operating the button, the screen will stay on for 30 seconds and then will enter sleep. Press any button and the screen will light up again.

## Display Descriptions (SF-Humidifier6)



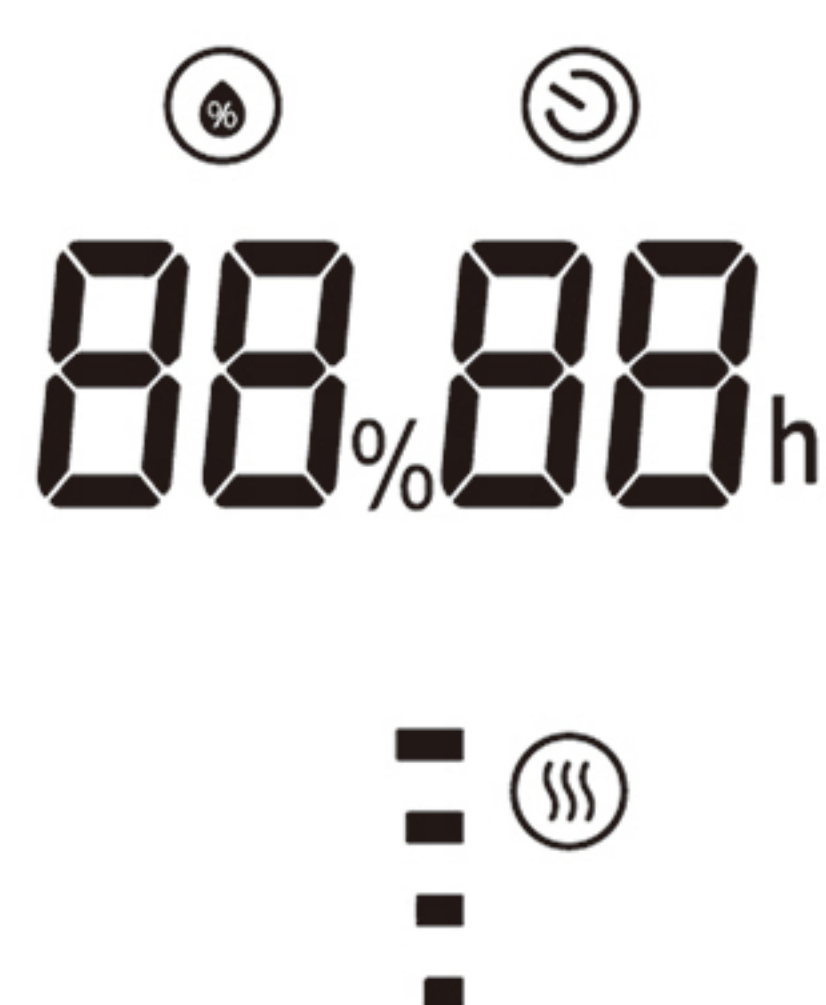
### 1st 10s

The screen will show the humidity level you've set, with the humidity icon illuminated. Additionally, the currently set timer value will be displayed with its corresponding timer icon illuminated.



### 2nd 10s

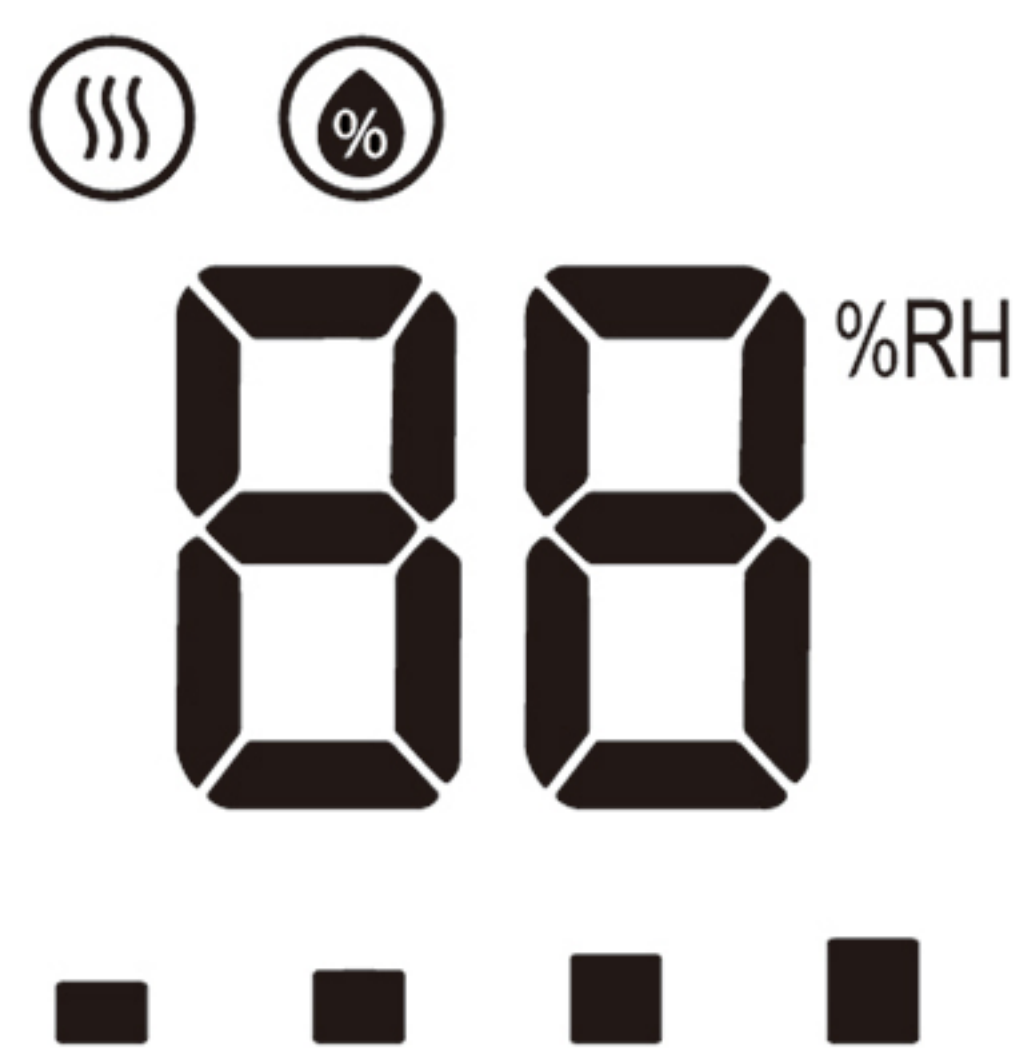
The screen will display the humidity value as detected by the probe. During this, the humidity icon will not be illuminated. The temperature, as detected by the probe, will also be shown, with the unit displayed as °F. (The temperature display unit for humidifiers in the US is °F, while the temperature display unit for humidifiers in other specifications is °C)



### 3rd 10s

The screen will again show the humidity level you've set, with the humidity icon illuminated. The currently set timer value will also be displayed with its corresponding timer icon illuminated.

## Display Descriptions (SF-Humidifier16)



### 1st 10s

The humidity value detected by the sensing probe will be displayed on the screen, and the humidity icon will light up. The unit on the right is % RH.



### 2nd 10s

The temperature value detected by the sensing probe will be displayed on the screen, and the unit on the right will be displayed as °F.



### 3rd 10s

The time you set will be displayed on the screen, accompanied by a timer icon that lights up, and the unit on the right will be displayed as H.



# SPECIFICATIONS



Model	<b>SF-Humidifier6</b>	<b>SF-Humidifier16</b>
Color	Black	Black
Capacity	6L	16L
Item weight	1.64kg	5kg
Item Size	Φ215*260mm	Φ240*630mm
Frequency	50/60Hz	50/60Hz
Voltage	100-240V AC	100-240V AC
Power Draw	26W+5%	90W+5%
Power cord length	2.5m	2.5m
Probe cable length	3.6m	3.6m
Max humidification	450ML/H	1400ML/H
Warranty	1 Year	1 Year

# YOUR RELIABLE INDOOR GROW PARTNER

## Our Social Media



## Contact:

Tel: +1 8409776768

Email: [support@spider-farmer.com](mailto:support@spider-farmer.com)  
[info@spider-farmer.com](mailto:info@spider-farmer.com)